

XOKO

DESIGN IRATZOKI LIZASO

Collaborative working environments have been a topic of conversation for a few years now. Xoko is a unique seating program addressing this environment. The program was inspired by the idea that a corner, from an architectural point of view, can be an interesting and functional form.

Xoko builds its program around an upholstered stool, generous in dimensions, which because of its shape, allows the user several sitting positions as well as the ability to join them in different compositions.

The first version is a versatile stool with four metal legs, which facilitate creating different compositions. The second, is a height adjustable central leg stool, which offers adaptability for the individual user.



XOKO CENTRAL COLUMN

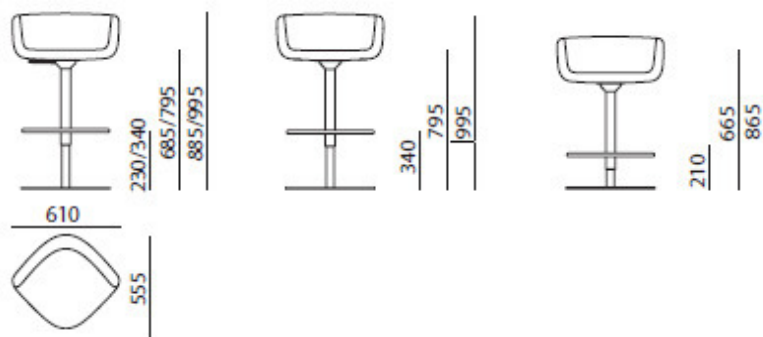
DESIGN IRATZOKI LIZASO

AKABA

DESCRIPTION

Stool program for collaborative spaces, central leg powdercoated. Available in 3 heights. Seat in one piece, injected in polyurethane fully upholstered.

DIMENSIONS



FINISHES

METAL



FABRICS

Camira, Spradling, Gabriel, Kvadrat or leather

